

COOLING PERFORMANCE (BtuH)*

Outdoor Ambient Temperature (DB)	Indoor Entering Air Temperatures							
	65°F DB		68°F DB		73°F DB		79°F DB	
	55°F WB		57°F WB		61°F WB		64°F WB	
	TC	SHC	TC	SHC	TC	SHC	TC	SHC
5°F	6,690	5,240	7,290	5,720	7,730	6,060	8,260	6,480
14°F	6,990	5,480	7,660	6,000	8,090	6,340	8,640	6,770
23°F	7,800	6,120	8,390	6,580	8,970	7,040	9,560	7,500
32°F	8,220	6,440	8,830	6,930	9,450	7,410	10,060	7,890
41°F	8,870	6,950	9,500	7,460	10,150	7,960	10,730	8,410
50°F	9,320	7,300	9,970	7,830	10,640	8,340	11,200	8,780
59°F	9,460	7,420	10,170	7,980	10,880	8,530	11,590	9,090
68°F	10,800	8,470	11,520	9,040	12,240	9,600	12,720	9,980
77°F	10,660	8,360	11,380	8,930	12,110	9,500	12,600	9,880
86°F	10,110	7,930	10,820	8,490	11,540	9,060	12,120	9,510
95°F	9,530	7,480	10,240	8,030	10,960	8,590	11,670	9,160
104°F	9,030	7,080	9,750	7,650	10,460	8,200	11,170	8,760
113°F	8,530	6,690	9,250	7,250	9,960	7,810	10,680	8,370
122°F	8,280	6,490	9,000	7,060	9,600	7,530	10,320	8,100

HEATING PERFORMANCE (BtuH)*

Outdoor Ambient Temperature (DB)	Indoor Entering Air Temperatures							
	65°F DB		68°F DB		73°F DB		79°F DB	
	55°F WB		57°F WB		61°F WB		64°F WB	
	TC	SHC	TC	SHC	TC	SHC	TC	SHC
-22°F	10,100	10,100	9,800	9,800	9,700	9,700	9,600	9,600
-4°F	11,110	11,110	10,770	10,770	10,670	10,670	10,560	10,560
0°F	11,990	11,990	11,630	11,630	11,510	11,510	11,400	11,400
6°F	12,630	12,630	12,240	12,240	12,120	12,120	12,000	12,000
10°F	12,630	12,630	12,240	12,240	12,120	12,120	12,000	12,000
16°F	12,630	12,630	12,240	12,240	12,120	12,120	12,000	12,000
19°F	12,630	12,630	12,240	12,240	12,120	12,120	12,000	12,000
24°F	12,630	12,630	12,240	12,240	12,120	12,120	12,000	12,000
32°F	12,630	12,630	12,240	12,240	12,120	12,120	12,000	12,000
41°F	12,630	12,630	12,240	12,240	12,120	12,120	12,000	12,000
43°F	12,630	12,630	12,240	12,240	12,120	12,120	12,000	12,000
47°F	12,630	12,630	12,240	12,240	12,120	12,120	12,000	12,000
53°F	12,750	12,750	12,370	12,370	12,240	12,240	12,120	12,120
59°F	13,040	13,040	12,650	12,650	12,520	12,520	12,400	12,400
64°F	13,320	13,320	12,920	12,920	12,790	12,790	12,660	12,660
70°F	13,580	13,580	13,160	13,160	13,030	13,030	12,900	12,900
75°F	13,760	13,760	13,350	13,350	13,210	13,210	13,080	13,080
78°F	13,890	13,890	13,470	13,470	13,330	13,330	13,200	13,200

* Maximum system capacity

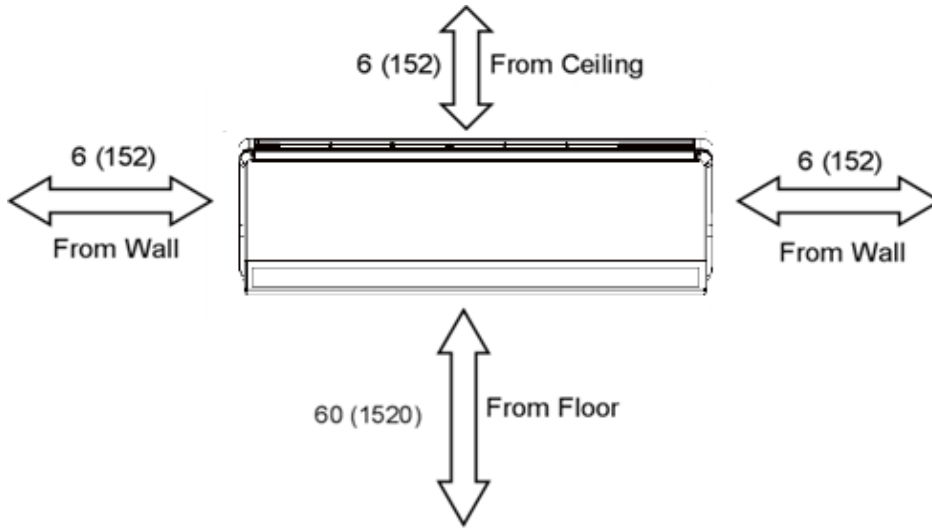
TC- Total Capacity (BtuH)
 SHC- Sensible Capacity (BtuH)



MINIMUM SPACING REQUIREMENTS

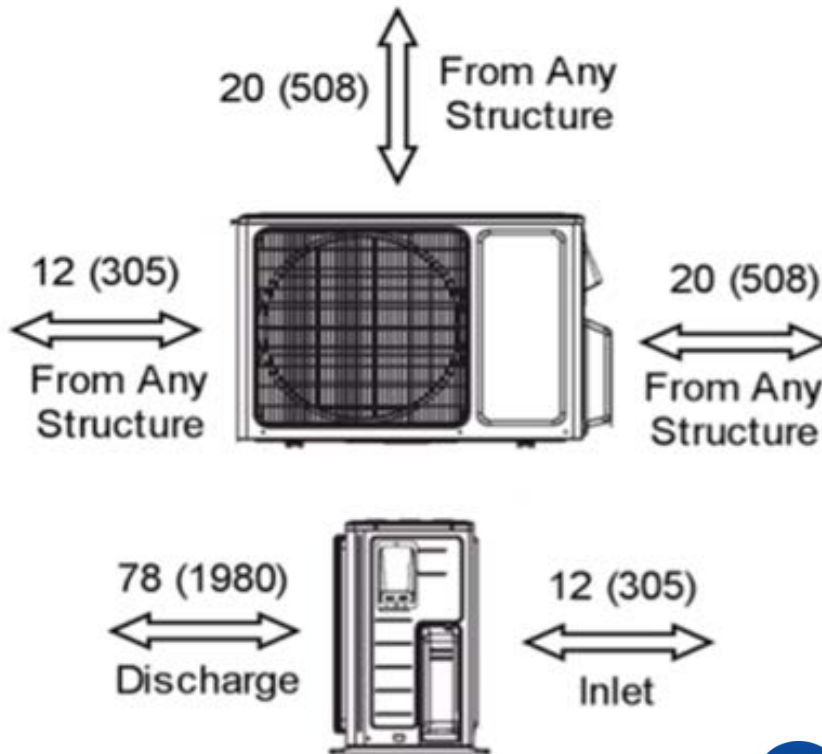
Units: inch (mm)

INDOOR



Units: inch (mm)

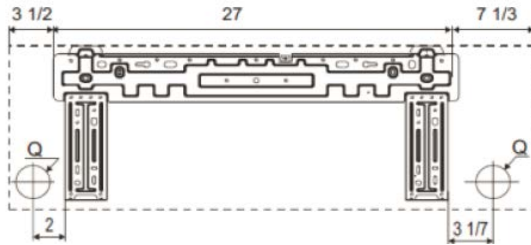
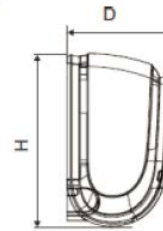
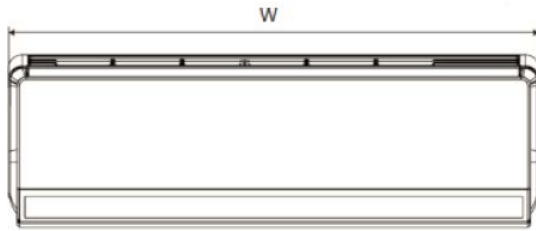
OUTDOOR



INDOOR UNIT DIMENSIONS

Units: inch

Model No: CROWN12HP230V1AH

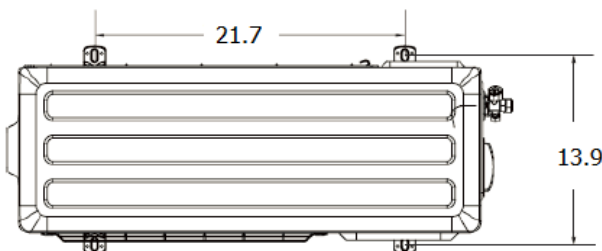
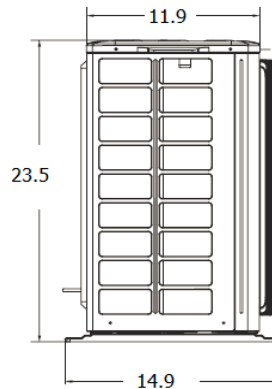
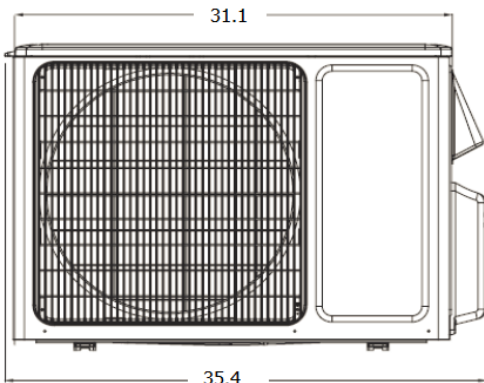


Liquid Line Valve	1/4-in OD Flared
Gas Line Valve	1/2-in OD Flared
Drain Connector	5/8-in OD

OUTDOOR UNIT DIMENSIONS

Units: inch

Model No: CROWN12HP230V1AO



Liquid Line Valve	1/4-in OD Flared
Gas Line Valve	1/2-in OD Flared

Notes:

1. Recommended Interconnecting Cable Type Stranded Bare Copper Conductors THHN 600V Wire
2. Power wiring cable size must comply with applicable national and local codes.
3. Test conditions are based on AHRI 210/240.



Specifications are subject to change without notice. Manufacturer reserves the right to discontinue or modify specifications or designs without notice or without incurring obligations. All rights reserved.